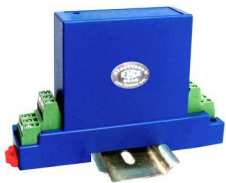


Current Transducer/Sensor

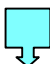




BJT3 AC Voltage Transducer

FEATURES

- ***Working principle:** New electromagnetic isolation
- ***Usage:** Used to measure AC Voltage, especially for power frequency 50 Hz sine wave AC Voltage
- ***Advantage:** The best performance/price ratio, power loss and small volume, light weight, easy installation, perforated input, without the insertion loss.
- ***Application:** Widely used for measuring AC Voltage
- ***Dimension (mm):** BJT3: 99(L) ×24(W) ×65(H)

MODEL

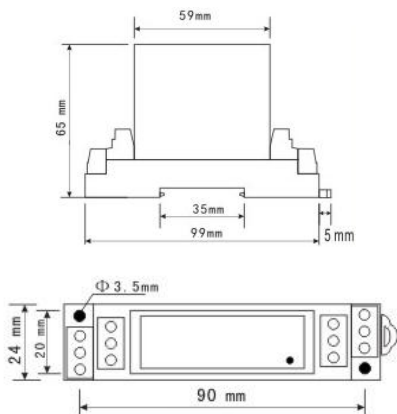
LF- AV12-   BJT3-0.5/ 

A B C

Model selection: LF- AV12-33 BJT3-1.0/10A

Explanation: this product is a 10A input range, 0-5V output, 15V power supply, BJT3 style AC Voltage Transducer

DIMENSION DIAGRAM



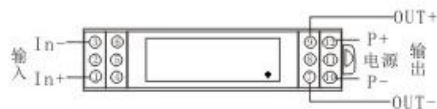
ELECTRICAL DATA

- * Input Range: 5V~600V can choose 5V, 15V etc
- * Accuracy Grade: $\leq 0.5\%$.F.S
- * Linearity Degree: better than 0.1%
- * Response Time: $\leq 250\text{mS}$
- * Offset Voltage: $\leq 10\text{mV}$
- * Frequency Range: 20~5KHz
- * Temperature Characteristics: $\leq 100\text{PPM}/^\circ\text{C}$ (0~50 $^\circ\text{C}$)
- * Power Consumption: $\leq 20\text{mA}$
- * Load: Voltage output: 5mA, Current output: 6V
- * Over Load: 30 times of input
- * Isolation Withstanding Voltage: AC3.0KV/min*1mA between input /output/ power
- * Flame Retardancy: UL94-V0
- * Working Environment: -10 $^\circ\text{C}$ ~70, 20%~90% without condensation
- * Storage Environment: -40 $^\circ\text{C}$ ~85, -20%~95% without condensation

MODEL REMARKS

A---Output	B---Power supply
2: 0~4V	2: 12V $\pm 10\%$
3: 0~5V	3: 15V $\pm 10\%$
4: 0~20mA	
5: 4~20mA	
T: Special output	C---Current input range

CONNECTION DIAGRAM



Xiamen ZT Technology Co., Limited