

# Current Transducer/Sensor

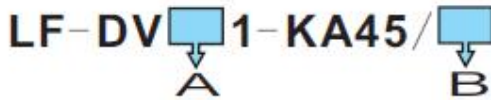


## SA45 Voltage Offside Alarm Transducer

### FEATURES

- \*Transforms the high electric switching state into low electric switching state.
- \*Safety, faster, high accuracy
- \*No jitter phenomenon of conventional relay contacts
- \*Input, output photoelectric isolation, ensures the safety of the telecontrol equipment
- \*Indicator light marks working status of any way, intuitive and clear
- \*Standard din rail(35mm) mounting
- \*Dimension(mm): 106(L)×31.5(W)×77(H)

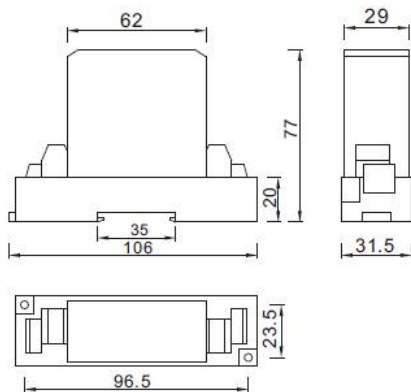
### MODEL



Model selection 1: LF-DV31-K4A45/0~220V

Explanation: this product is a 0~220V input range, relay output, A45 style DC voltage offside switching value alarm transducer.

### DIMENSION DIAGRAM



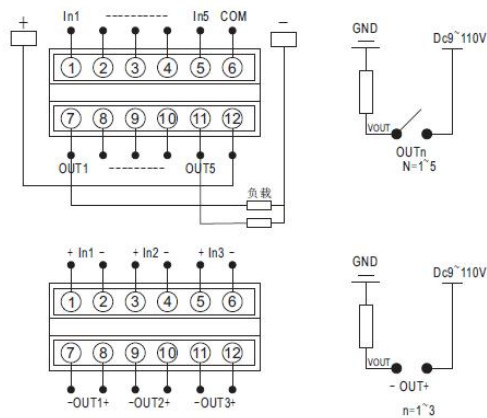
### ELECTRICAL DATA

- \*Input Range: 0~500V can choose 220V, 110V, 48V
- \*Output Characteristics : >60% conducting, input current  $\geq 10\text{mA}$ , <50% cutoff
- \*Isolation Withstanding Voltage : AC2.0KV/min\*1mA between input/output
- \*Isolation Resistance:  $\geq 20\text{M}\Omega$ (DC500V)
- \*Load Capacity: 1.5 times current continuous
- \*Working Environment:  $-10^\circ\text{C} \sim 50^\circ\text{C}$ , 20%~90% without condensation
- \*Storage Environment:  $-40^\circ\text{C} \sim 70^\circ\text{C}$ , 20%~95% without condensation

### MODEL REMARKS

- A---Input ways(1 way ~5way input): 1~5
- B---Voltage input range

### CONNECTION DIAGRAM



Xiamen ZT Technology Co., Limited

<http://www.transducersgroup.com>

[sales@zntar.com](mailto:sales@zntar.com)

Jason Zeng

Skype: zntarjason